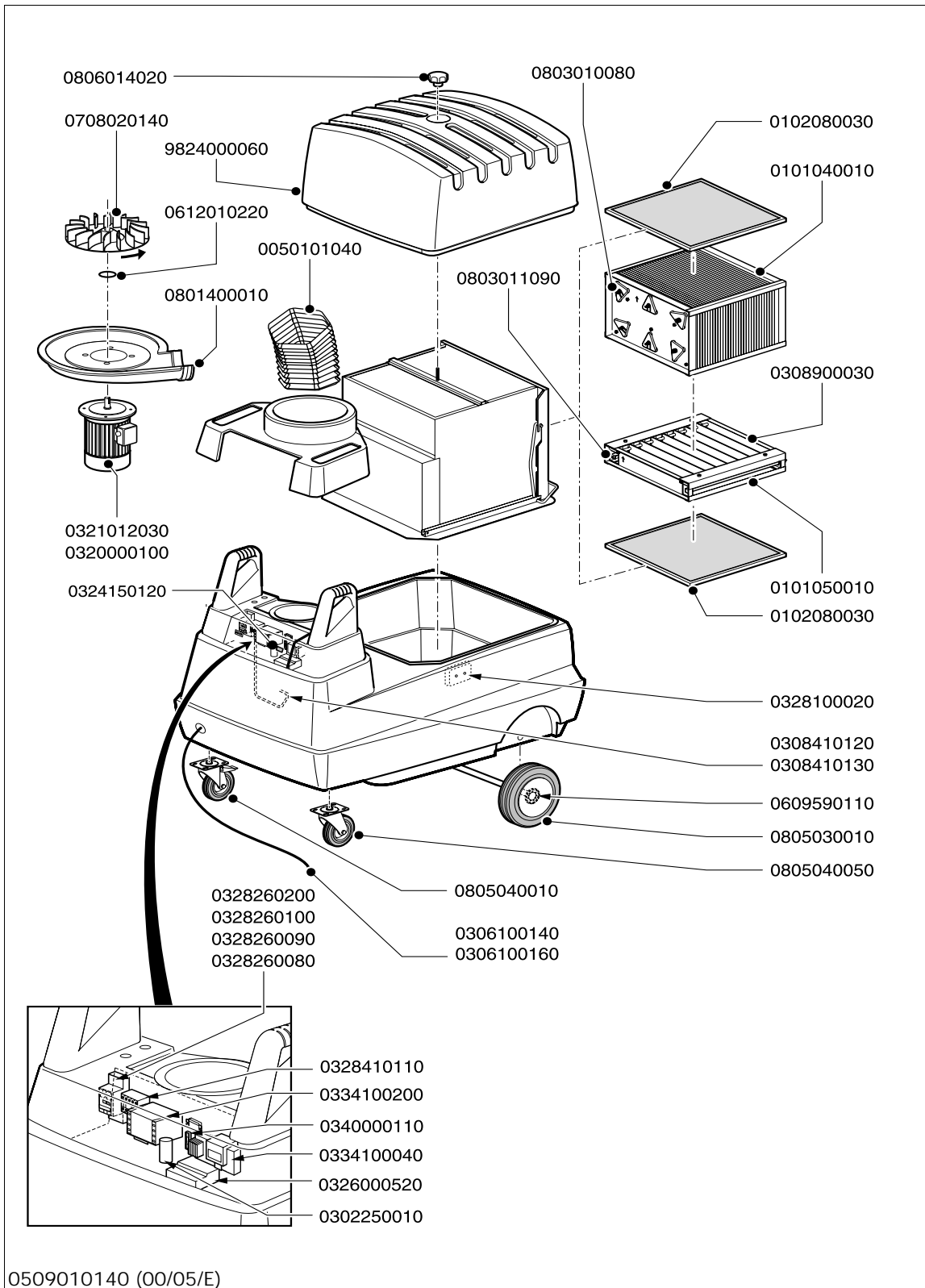


Exploded view MFE

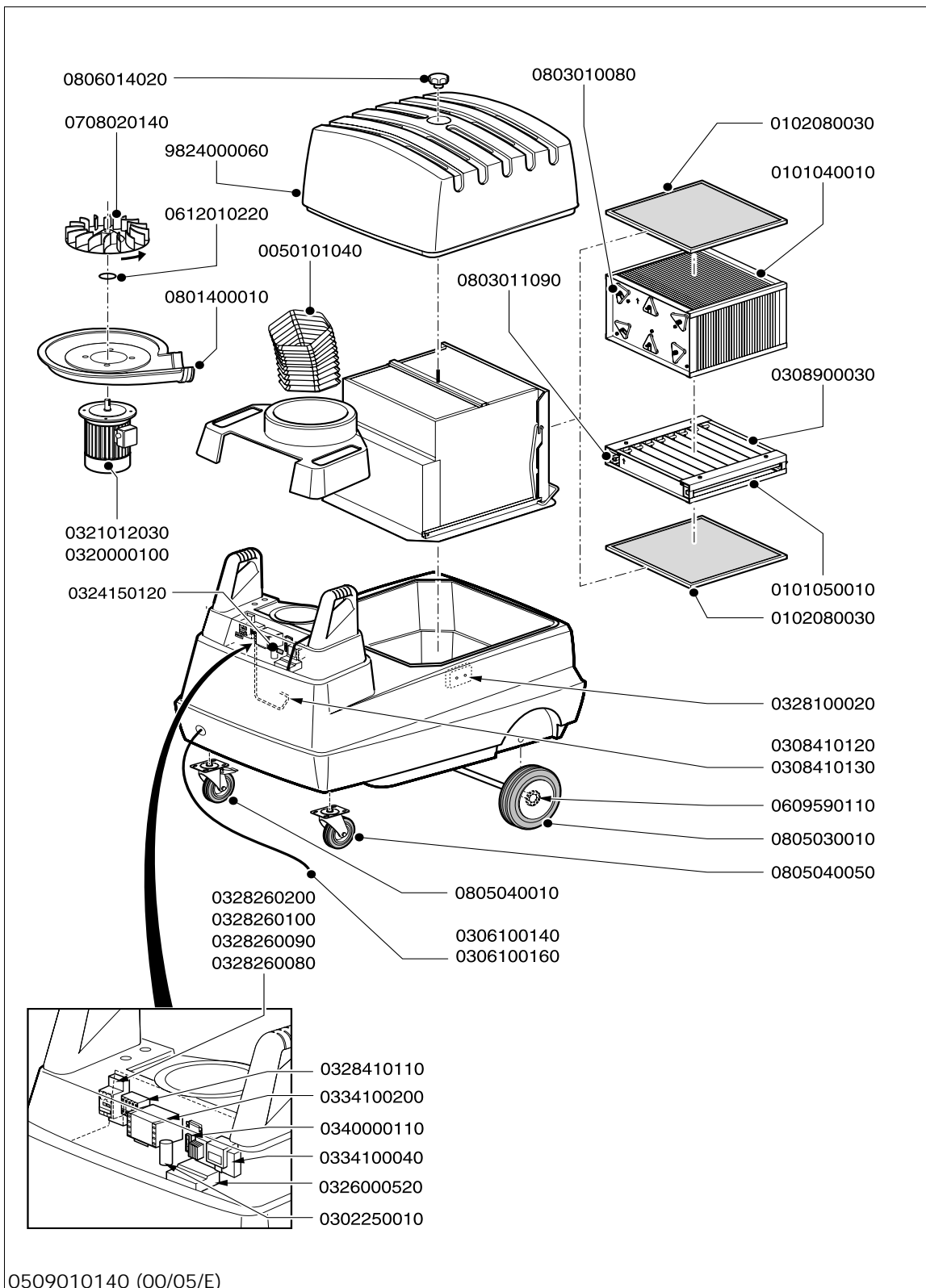


Spare parts MFE (400V/3ph/50Hz)

7035400000

Art. no.	Description
0050101040	Hose set (Ultra)Flex
0101040010	Collector FC 8
0101050010	Ioniser FI 8
0102080030	Aluminium pre/final filter
0104060010	FAL 8
0104060010	Activated carbon filter FAC 8
0302250010	Capacitor 0,5 µF, 600V for
0306100140	high voltage
0306100140	Mains flex mobile units 4x1
0308410120	mm2
0308410120	Motor cable mobile units 4x1
0308900030	mm2
0308900030	Ionisation wire for FI 8
0320000100	Motor 0,75kW,
0324150120	230-400V/3ph/50Hz
0326000520	Control lamp 24V, yellow
0328100020	PC board HT MFE/SFE
0328260080	Safety switch, 2 poles
0328410110	Motor protection switch
0334100040	MPS 1.6-2.5A (mobile units)
0334100200	Relay LS 5.10
0340000110	HT transformer 2,1 mA,
0507250010	230-400/24V
0609590110	Transformer 50W/24V
0612010220	115/230/400V
0708020140	Fuse 2,0 A
0801400010	Manual Euromate MFE
0803010080	Starlock 22 mm
0803011090	Adjusting ring 19x1
0805030010	Aluminium fan wheel
0805040010	Housing FAN 14/28/MNF/mobile
0805040050	units, motor side
0806014020	Insulator FC 8
0840101030	Insulator FI 8
9824000060	Wheel Ø 250 mm black
	Swivel castor Ø 125 mm with
	brake
	Swivel castor Ø 125 mm without
	brake
	Cover star knob M8
	Bush Ø 203 mm
	Filter cover MFD/MFE incl.
	outlet grid

Exploded view MFE



Spare parts MFE (230V/3ph/50Hz)

7033400000

Art. no.	Description
0050101040	Hose set (Ultra)Flex
0101040010	Collector FC 8
0101050010	Ioniser FI 8
0102080030	Aluminium pre/final filter
0104060010	FAL 8
0104060010	Activated carbon filter FAC 8
0302250010	Capacitor 0,5 µF, 600V for
0306100140	high voltage
0306100140	Mains flex mobile units 4x1
0308410120	mm2
0308410120	Motor cable mobile units 4x1
0308900030	mm2
0308900030	Ionisation wire for FI 8
0320000100	Motor 0,75kW,
0324150120	230-400V/3ph/50Hz
0326000520	Control lamp 24V, yellow
0328100020	PC board HT MFE/SFE
0328260090	Safety switch, 2 poles
0328410110	Motor protection switch
0334100040	MPS 2.5-4.0A (mobile units)
0334100200	Relay LS 5.10
0340000110	HT transformer 2,1 mA,
0507250010	230-400/24V
0609590110	Transformer 50W/24V
0612010220	115/230/400V
0708020140	Fuse 2,0 A
0801400010	Manual Euromate MFE
0803010080	Starlock 22 mm
0803011090	Adjusting ring 19x1
0805030010	Aluminium fan wheel
0805040010	Housing FAN 14/28/MNF/mobile
0805040050	units, motor side
0806014020	Insulator FC 8
0840101030	Insulator FI 8
9824000060	Wheel Ø 250 mm black
	Swivel castor Ø 125 mm with
	brake
	Swivel castor Ø 125 mm without
	brake
	Cover star knob M8
	Bush Ø 203 mm
	Filter cover MFD/MFE incl.
	outlet grid

Spare parts MFE (230V/1ph/50Hz)

7032400000

Art. no.	Description
0050101040	Hose set (Ultra)Flex
0101040010	Collector FC 8
0101050010	Ioniser FI 8
0102080030	Aluminium pre/final filter FAL 8
0104060010	Activated carbon filter FAC 8
0302250010	Capacitor 0,5 µF, 600V for high voltage
0306100160	Mains flex mobile units 3x1,5 mm ²
0308410130	Motor cable mobile units 3x1,5 mm ²
0308900030	Ionisation wire for FI 8
0321012030	Motor 0,75kW, 115-230V/1ph/50-60Hz
0324150120	Control lamp 24V, yellow
0326000520	PC board HT MFE/SFE
0328100020	Safety switch, 2 poles
0328260100	Motor protection switch MPS 4.0-6.3A (mobile units)
0328410110	Relay LS 5.10
0334100040	HT transformer 2,1 mA, 230-400/24V
0334100200	Transformer 50W/24V 115/230/400V
0340000110	Fuse 2,0 A
0507250010	Manual Euromate MFE
0609590110	Starlock 22 mm
0612010220	Adjusting ring 19x1
0708020140	Aluminium fan wheel
0801400010	Housing FAN 14/28/MNF/mobile units, motor side
0803010080	Insulator FC 8
0803011090	Insulator FI 8
0805030010	Wheel Ø 250 mm black
0805040010	Swivel castor Ø 125 mm with brake
0805040050	Swivel castor Ø 125 mm without brake
0806014020	Cover star knob M8
0840101030	Bush Ø 203 mm
9824000060	Filter cover MFD/MFE incl. outlet grid

Spare parts MFE (115V/1ph/50Hz)

7038400000

Art. no.	Description
0050101040	Hose set (Ultra)Flex
0101040010	Collector FC 8
0101050010	Ioniser FI 8
0102080030	Aluminium pre/final filter
0104060010	FAL 8
0104060010	Activated carbon filter FAC 8
0302250010	Capacitor 0,5 µF, 600V for
0306100160	high voltage
0306100160	Mains flex mobile units 3x1,5
0308410130	mm2
0308410130	Motor cable mobile units 3x1,5
0308900030	mm2
0308900030	Ionisation wire for FI 8
0321012030	Motor 0,75kW,
0324150120	115-230V/1ph/50-60Hz
0326000520	Control lamp 24V, yellow
0328100020	PC board HT MFE/SFE
0328260200	Safety switch, 2 poles
0328410110	Motor protection switch
0334100040	MPS 10-16A (CSA+ UL; mobile
0334100200	units)
0334100200	Relay LS 5.10
0340000110	HT transformer 2,1 mA,
0507250010	230-400/24V
0609590110	Transformer 50W/24V
0612010220	115/230/400V
0708020140	Fuse 2,0 A
0801400010	Manual Euromate MFE
0803010080	Starlock 22 mm
0803011090	Adjusting ring 19x1
0805030010	Aluminium fan wheel
0805040010	Housing FAN 14/28/MNF/mobile
0805040050	units, motor side
0806014020	Insulator FC 8
0840101030	Insulator FI 8
9824000060	Wheel Ø 250 mm black
	Swivel castor Ø 125 mm with
	brake
	Swivel castor Ø 125 mm without
	brake
	Cover star knob M8
	Bush Ø 203 mm
	Filter cover MFD/MFE incl.
	outlet grid