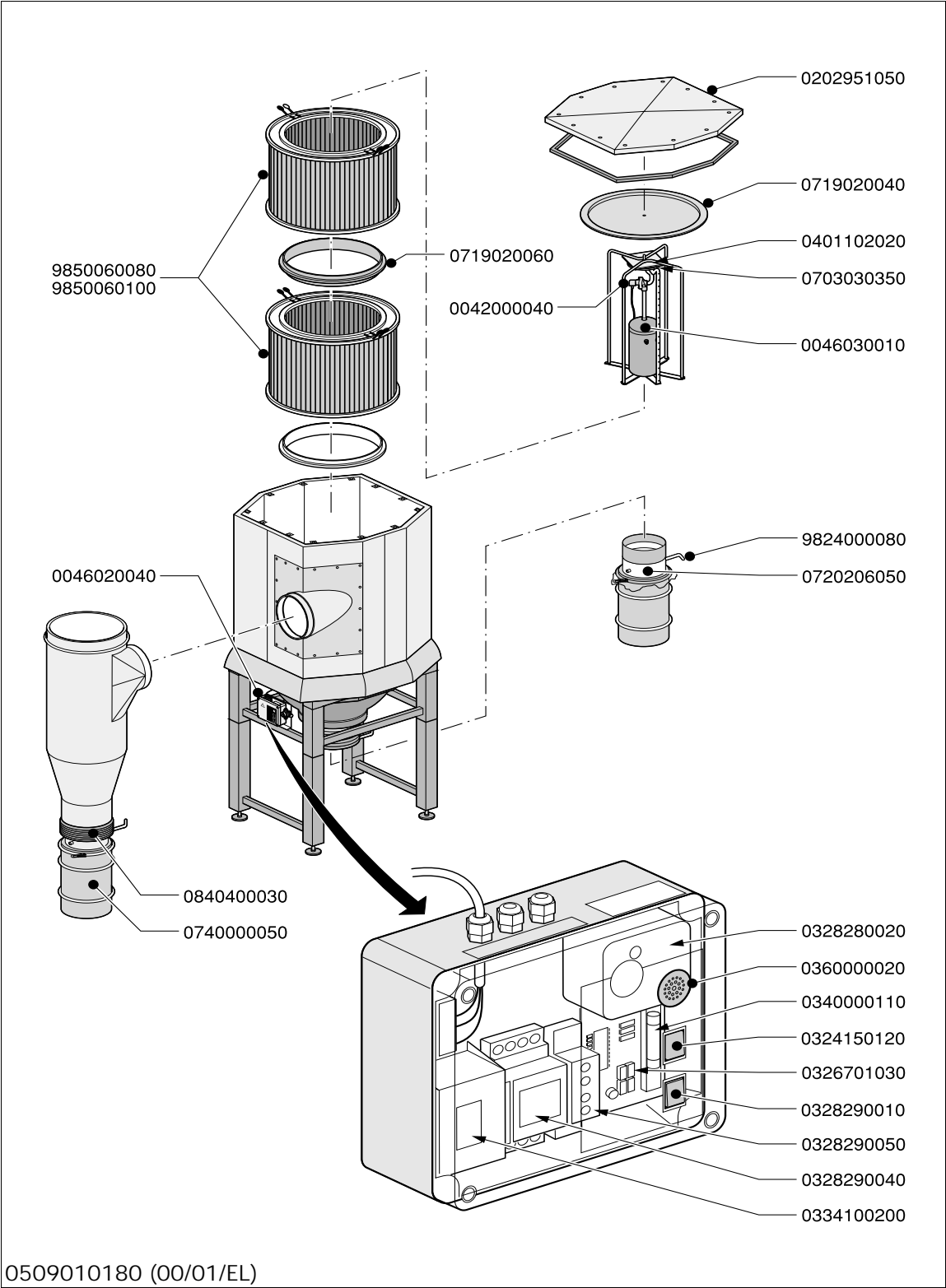


Exploded view SCS and CB-SCS



Spare parts **SCS**

745500000

Art. no.	Description
0042000040	Membrane valve
0046020040	Pressure regulating valve + pressure gauge MFS/SFS/SCS
0046030010	Pressure relief valve 8-12 bar
0202951050	Lid housing SCS
0308000490	Earth wire
0401102020	Neoprene ring
0507340010	User manual Euromate SCS
0703030350	Spring cleaning unit
0719020040	Filter lid SCS
0719020060	Filter ring
0720206050	Drum flange SCS
0740000050	Drum grey 100 l
0840400030	Bush Drum 100
9824000080	Closing valve for DRUM 100
9850060080	Filter FCC 150
9850060100	Filter FCP 110

Spare parts **CB-SCS**

7900020340

Art. no.	Description
0324150120	Control lamp 24V, yellow
0326701030	PC board control SCS
0328280020	Pressure difference switch 6-50 mBar
0328290010	Reset/start button
0328290040	Digital week timer SCS
0328290050	Relay pulse/pause SCS
0334100200	Transformer 50W/24V 115/230/400V
0340000110	Fuse 2,0 A
0360000020	Buzzer MFS-BIA/SCS

Spare parts **AD 200**

7900102010

Art. no.	Description
0321400010	Servomotor SA 1.12